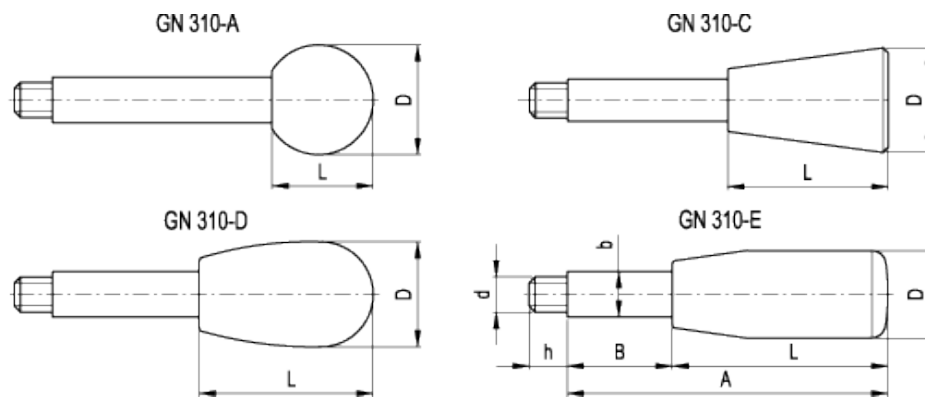


GN 310

Lever arms



technical informations

Arm

Black-oxide steel.

Fixed handle

Black Duroplast available in different shapes:

- execution A: ball knob.
- execution C: conical knob.
- execution D: rounded knob.
- execution E: cylindrical knob.

Standard Elements	Main dimensions							Weight
	Description	A	D	L	B	b	d	
GN 310-8-63-A	63	20	18	45	8	M6	9	30
GN 310-8-63-C	63	20	30	33	8	M6	9	30
GN 310-8-63-D	63	20	32	31	8	M6	9	30
GN 310-8-63-E	63	18	40	23	8	M6	9	26
GN 310-8-80-A	80	20	18	62	8	M6	9	36
GN 310-8-80-C	80	20	30	50	8	M6	9	36

GN 310-8-80-D	80	20	32	48	8	M6	9	36
GN 310-8-80-E	80	18	40	20	8	M6	9	33
GN 310-8-100-A	100	20	18	82	8	M6	9	44
GN 310-8-100-C	100	20	30	70	8	M6	9	43
GN 310-8-100-D	100	20	32	68	8	M6	9	43
GN 310-8-100-E	100	18	40	60	8	M6	9	41
GN 310-10-80-A	80	25	22.5	57.5	10	M8	11	55
GN 310-10-80-C	80	25	38	42	10	M8	11	54
GN 310-10-80-D	80	26	42	38	10	M8	11	54
GN 310-10-80-E	80	21	50	30	10	M8	11	50
GN 310-10-100-A	100	25	22.5	77.5	10	M8	11	63
GN 310-10-100-C	100	25	38	62	10	M8	11	65
GN 310-10-100-D	100	26	42	58	10	M8	11	66
GN 310-10-100-E	100	21	50	50	10	M8	11	62
GN 310-10-125-A	125	25	22.5	102.5	10	M8	11	78
GN 310-10-125-C	125	25	38	87	10	M8	11	80
GN 310-10-125-D	125	26	42	83	10	M8	11	81
GN 310-10-125-E	125	21	50	75	10	M8	11	78
GN 310-12-100-A	100	32	29	71	12	M10	14	103
GN 310-12-100-C	100	30	46	54	12	M10	14	102
GN 310-12-100-D	100	33	55	45	12	M10	14	102
GN 310-12-100-E	100	23	65	35	12	M10	14	81
GN 310-12-125-A	125	32	29	96	12	M10	14	123
GN 310-12-125-C	125	30	46	79	12	M10	14	124
GN 310-12-125-D	125	33	55	70	12	M10	14	125
GN 310-12-125-E	125	23	65	60	12	M10	14	103
GN 310-12-160-A	160	32	29	131	12	M10	14	154
GN 310-12-160-C	160	30	46	114	12	M10	14	155
GN 310-12-160-D	160	33	55	105	12	M10	14	156
GN 310-12-160-E	160	23	65	95	12	M10	14	133
GN 310-14-125-A	125	35	32.5	92.5	14	M12	16	159
GN 310-14-125-C	125	35	53	72	14	M12	16	154
GN 310-14-125-D	125	33	55	70	14	M12	16	150
GN 310-14-125-E	125	26	80	45	14	M12	16	125
GN 310-14-160-A	160	35	32.5	127.5	14	M12	16	202
GN 310-14-160-C	160	35	53	107	14	M12	16	196
GN 310-14-160-D	160	33	55	105	14	M12	16	193
GN 310-14-160-E	160	26	80	80	14	M12	16	168
GN 310-14-200-A	200	35	32.5	167.5	14	M12	16	250
GN 310-14-200-C	200	35	53	147	14	M12	16	244
GN 310-14-200-D	200	33	55	145	14	M12	16	240
GN 310-14-200-E	200	26	80	120	14	M12	16	216
GN 310-16-160-A	160	40	37	123	16	M14	18	271
GN 310-16-160-C	160	35	53	107	16	M14	18	260

GN 310-16-160-D	160	38	69	91	16	M14	18	256
GN 310-16-160-E	160	28	90	70	16	M14	18	214
GN 310-16-200-A	200	40	37	163	16	M14	18	331
GN 310-16-200-C	200	35	53	147	16	M14	18	324
GN 310-16-200-D	200	38	69	131	16	M14	18	319
GN 310-16-200-E	200	28	90	110	16	M14	18	273
GN 310-16-250-A	250	40	37	213	16	M14	18	410
GN 310-16-250-C	250	35	53	197	16	M14	18	400
GN 310-16-250-D	250	38	69	181	16	M14	18	395
GN 310-16-250-E	250	28	90	160	16	M14	18	352



STANDARD MACHINE ELEMENTS WORLDWIDE